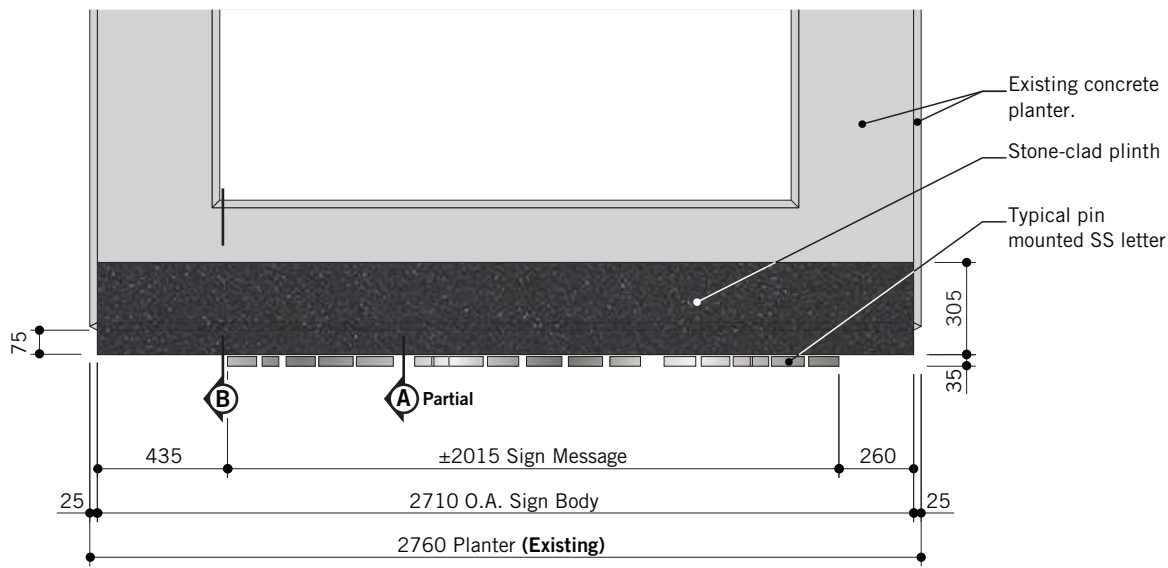
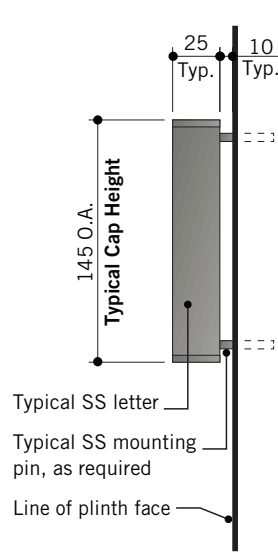


SOUTHEAST PYLON - CONSTRUCTION DETAILS



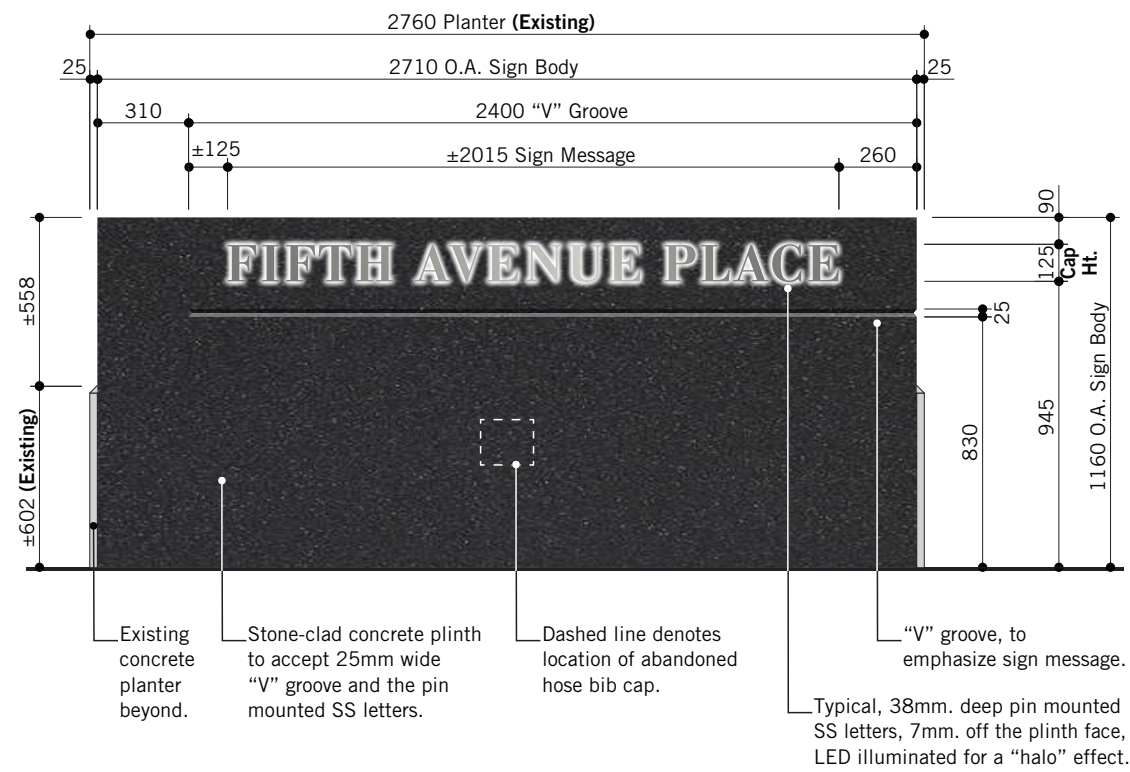
Top View / Plan
1:25



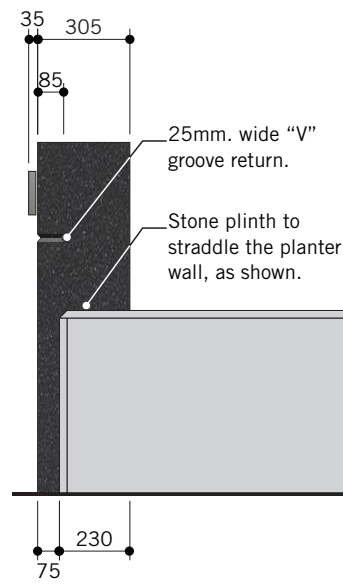
Section 'A' - Typical
1:4

Pylon Sign Construction Notes:
Sign body to be clad in Black granite to match existing benches (seams to be determined) with a "V" groove to emphasize the message text. Typical letters to be by 'Bitro'. Letter type: "Resno RS-AC-H1", or similarly approved, with #4 Horizontal brushed finish. Letters to be resin-filled with embedded LEDs, to achieve a "halo" effect and to be pinned directly to the stone. Each letter to be individually wired. **Verify all existing conditions on site prior to building the signs.**

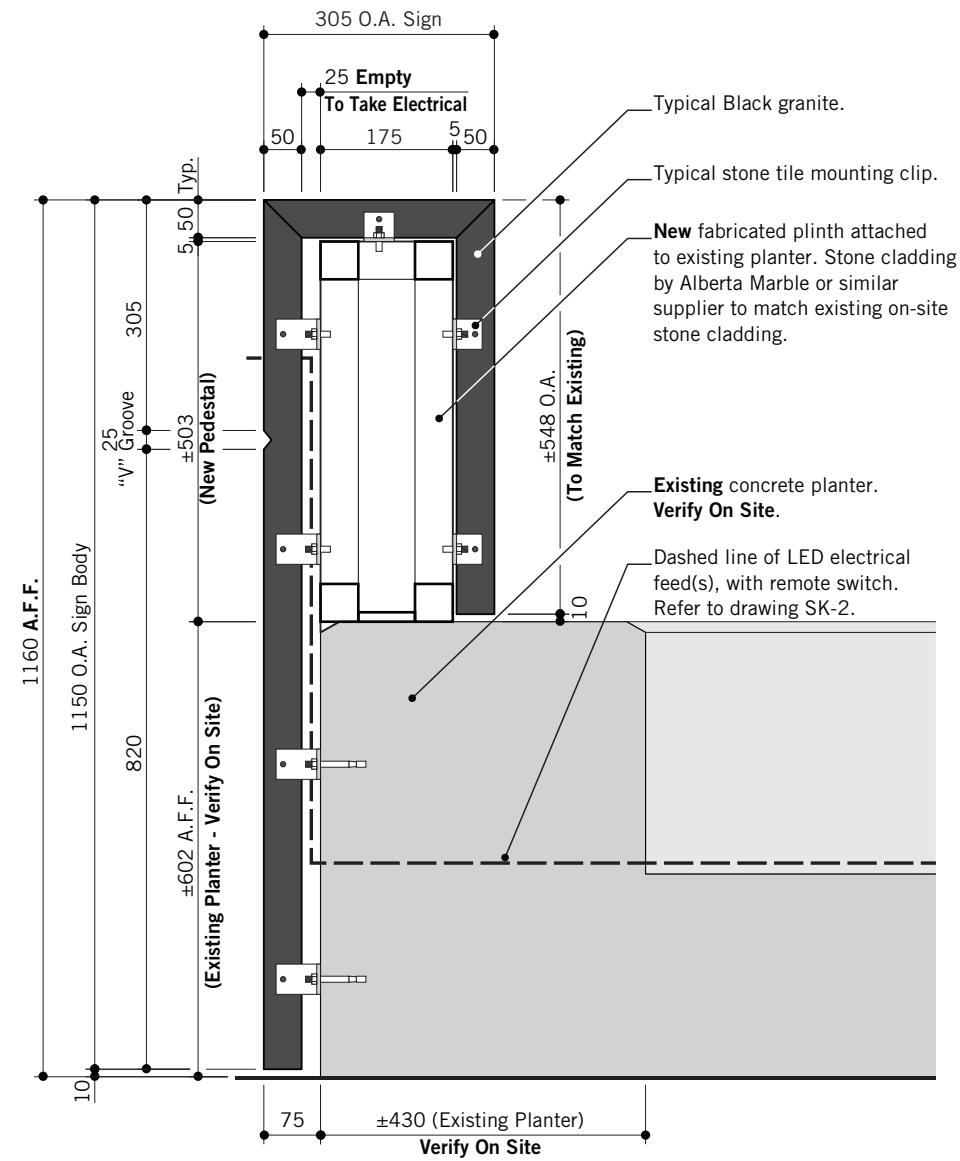
Engineering Drawings by RJC:
Refer to details on drawing SK-2 by RJC for planter penetration and electrical conduit.



Front Elevation
1:25



Side Elevation
1:25



Section 'B'
1:10